

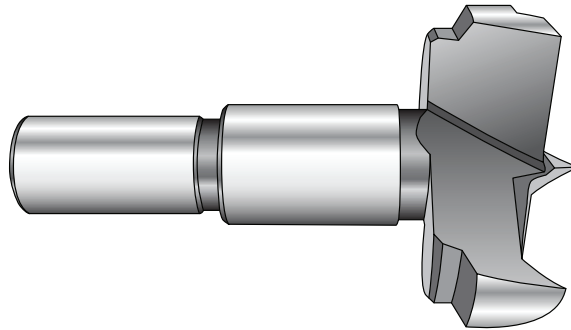
ALLOY STEEL  
**HINGE BORING BITS**

ICS WIS

SPECIAL PURPOSE

DIAMOND STYLE POINT

3/8"  
SHANK



ECONOMY  
TYPE

Alloy Steel Hinge Boring Bits are designed to bore clean entry holes in all types of wood for mounting European style hinges. They can be used in portable drills or drill presses and are a good economical choice for professionals and hobbyists.

SIZE	OVERALL LENGTH	ITEM NO.	PRICE
26mm	2"	HBBM26.0	3.58
30mm	2"	HBBM30.0	4.30
35mm	2"	HBBM35.0	4.72